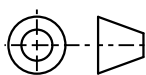
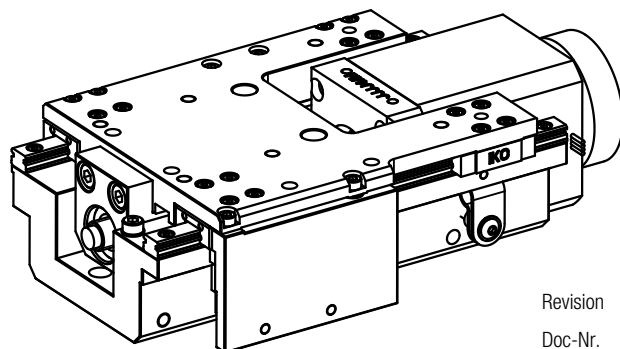
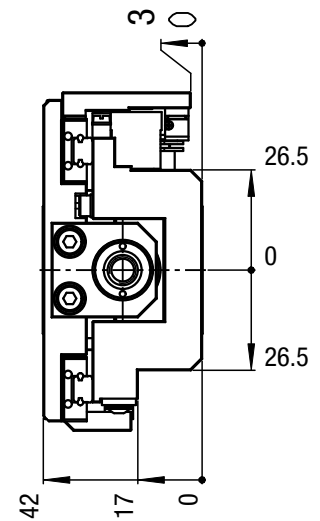
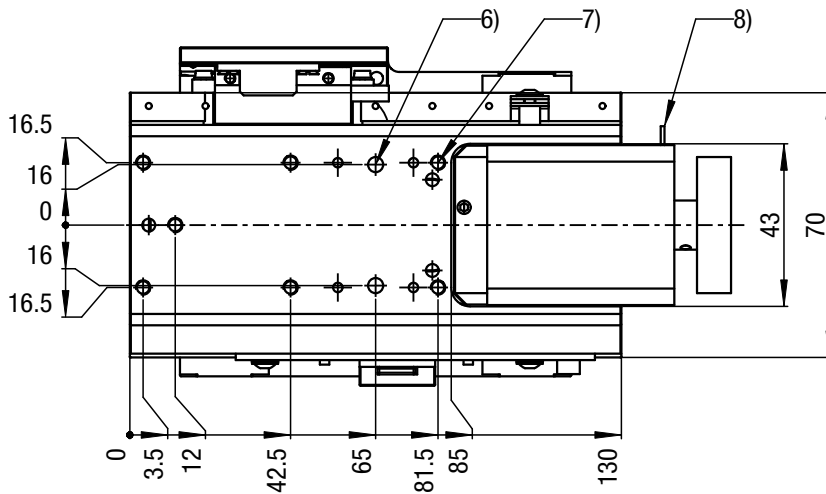
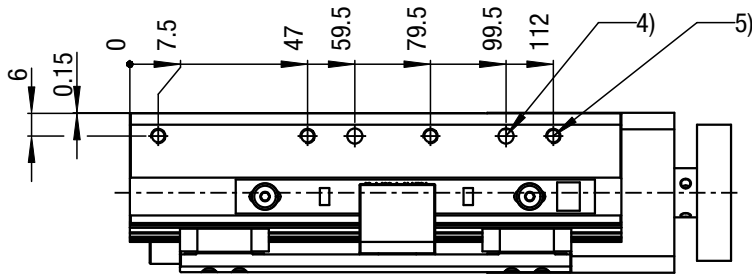


*) positional accuracy between fits: $\varnothing 0.02$

- 1) M4; depth 8 (4x)
- 2) $\varnothing 4H7$; depth 4 (2x)
- 3) M4; depth 4 (4x)
- 4) $\varnothing 4H7$; depth 4 (2x)
- 5) M4; depth 5 (4x)
- 6) M4; depth 8 (7x)
- 7) $\varnothing 4H7$; depth 4 (2x)
- 8) terminal (number and types of connectors depending on selected equipment)

requirement on mounting surfaces:
flatness 0.005 mm



drawingscale: 1:2
metric system (mm)

Revision 02/2023
Doc-Nr. 440098