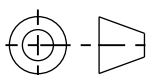
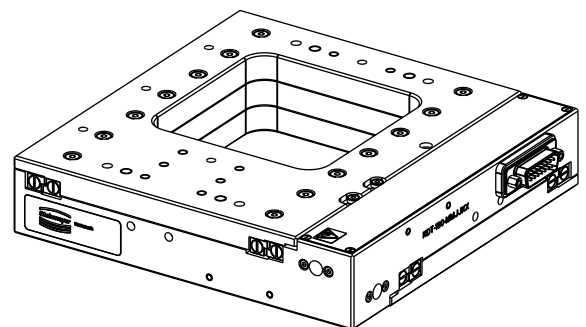
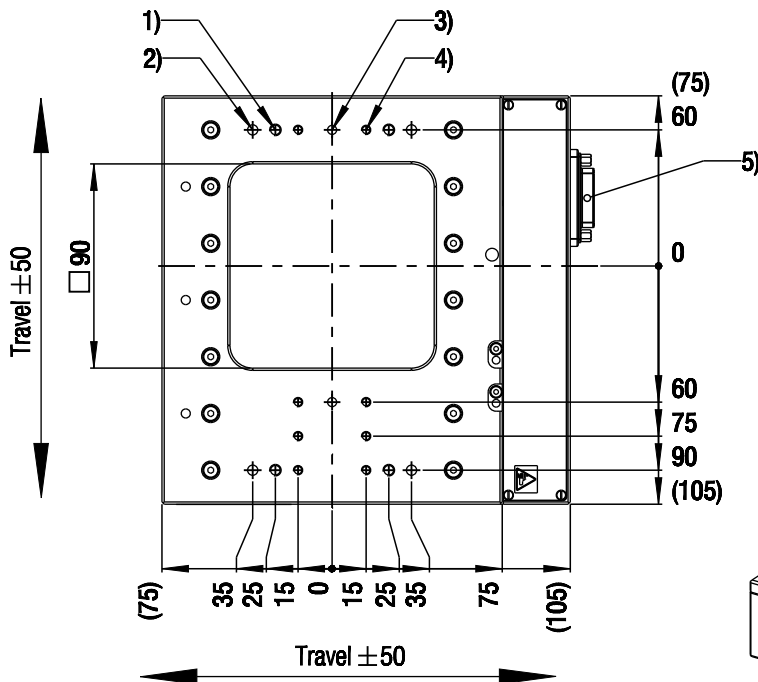


*) positional accuracy between fits: ± 0.02

- 1) M5; depth 10 (4x)
- 2) counterbore for screw DIN 7984 - M4 (4x) used from bottom-side
- 3) $\varnothing 4H7$; depth 5 (2x)
- 4) M4; depth 8 (8x)
- 5) terminal (number and types of connectors depending on selected equipment)

requirement on mounting surfaces: flatness 0.01 mm



drawingscale: 3:10
metric system (mm)

Revision 10/2021
Doc-Nr. 346719